



# Mobile Slit Lamp Microscope MS1

*Serving Your Vision*

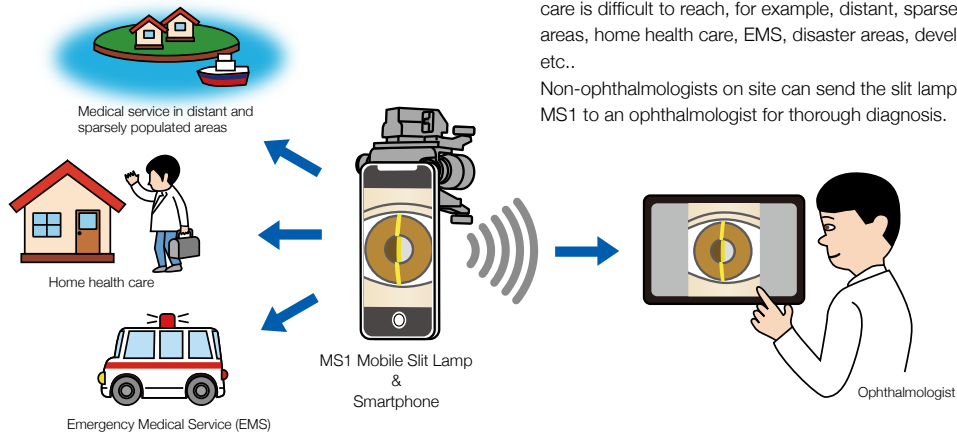


\*This image is an example of installing a smartphone. A smartphone is NOT included in this product.

\*The eye image is inserted into the smartphone screen by edit. The photo used was actually taken by MS1 and a smartphone.



# Mobile Slit Lamp Microscope MS1



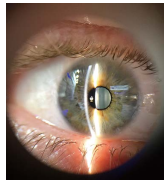
## Wherever you are together with smartphone

With a smartphone, not only ophthalmologists but also non-ophthalmologists can acquire slit lamp images anywhere eye medical care is difficult to reach, for example, distant, sparsely populated areas, home health care, EMS, disaster areas, developing countries, etc..

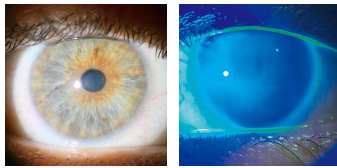
Non-ophthalmologists on site can send the slit lamp images taken by MS1 to an ophthalmologist for thorough diagnosis.

## Equipped with slit lamp basic functions

High-brightness LED provides up to 40,000lux. 0.2mm width slit illumination from 30° left, ø14mm length illumination, a blue filter as standard, and wide area illumination by diffuser.



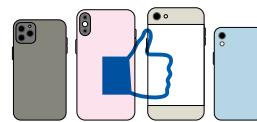
\*Slit illumination width and illumination angle are not variable.



## Various smartphones attachable

Most smartphones with the small protrusion camera lens fitted on the top left side of the phone can be used with MS1.

### Attachable smartphones



- Camera at upper left
- Small camera bump



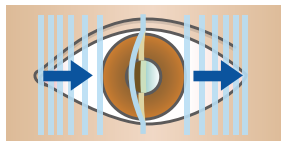
- Camera at upper center
- Camera at upper right
- Large camera bump
- Foldable type
- etc.

## Excellent usability

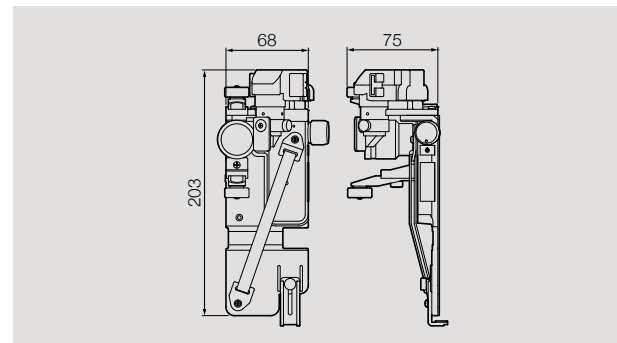
Forehead and cheek rests are designed to fix the device in position for stable photographing. The rollers at the tip of the forehead and cheek rests enable scanning/taking a video of eyeball from end to end.



\*In case that a smartphone has the videography function.



## Dimensions



## Specifications

|                         |   |
|-------------------------|---|
| Slit illumination angle | 30° fixed from left   |
| Slit width, length      | 0.2mm, 14mm   |
| Light-intensity control | Continuously variable, ON/OFF   |
| Power supply            | Two AAA batteries   |
| Battery life            | 1.5H (When illumination is maximum and using Panasonic Eneloop AAA batteries) |
| Weight                  | 230g (except a smartphone and batteries)                                      |

Co-Development: MITAS Medical Inc.  
MS1 was co-developed with MITAS Medical Inc. A dedicated app is provided by MITAS Medical Inc.  
MITAS Medical Inc.  
8F Aoyama Tower Place 8-4-14, Akasaka, Minato-ku, Tokyo, 107-0052, Japan  
URL: <https://www.mitasmedical.com/>  
Email: [info@mitasmedical.com](mailto:info@mitasmedical.com)

**Caution** To ensure safe and correct handling please read the user manual before using.

- Description and appearance as detailed in this brochure may be subject to change as improvements are made to products.
- Colours as they appear in brochure photographs may be slightly different to actual products due to lighting conditions when photographs were taken, or print colours.

**For The Americas, Asia-Pacific & Middle East**  
**TAKAGI SEIKO CO., LTD.**  
330-2 Iwafune, Nakano-shi, Nagano-ken, 383-8585, Japan  
TEL : +81(0)269-22-4511(Switchboard) URL : <https://www.takagi-j.com>



Your local distributor

**For Europe & Africa**  
**Takagi Ophthalmic Instruments Europe Ltd**  
Citylabs 1.0, Nelson Street, Manchester, M13 9NQ, UK  
TEL : +44 (0)161 273 6330 URL : <https://www.takagi-europe.com>