

NEITZ
Made by Neitz for Your Medical Field









Emerging From A Half Century of Ophthalmic Technology Achievement
The NEITZ LOUPE... Superb Japanese Craftsmanship

**NEITZ Binocular Loupes BL Series
& Spot Illuminators NSI Series**

Step 1 Select a Loupe type

NEITZ Binocular Loupes BL series

GALILEAN LOUPES			PRISMATIC LOUPES		
BLS-1 	BLS-2 	BLS-3 	BLD-3 	BLP-4 	BLP-6 
MAGNIFICATION					
1.5 - 2.0	2.0 - 2.5	2.5 - 3.0	2.5 - 3.0	4.0 - 4.5	5.5 - 6.0
<ul style="list-style-type: none"> † Suitable for surgery performed under low and mid-level magnification. † The visual field is bright and can easily obtain 3D images. † BLD-3 is suitable for Dentistry. 			<ul style="list-style-type: none"> † High magnification, clear image from edge to edge. † Suitable for surgery performed under high magnification. † Wide range of focus minimizes eye strain. 		

Above magnification value is subject to the condition of user's visual acuity condition.

Unique Feature of Neitz Loupes

In all Neitz loupes, you can adjust focus by turning lens-barrel to obtain clear image (for each applicable working distance).



Step 2 Select a Frame type

NEO frame

Sleek, Lightweight, Comfortable- Ideal for extended Surgical Operations.



White-Pink

* Developed as specialized frames for binocular loupes, the New NEITZ Neo Frame utilizes materials that achieve flexibility and strength for exceptional fit and durability.

* The NEITZ Neo Frame fits at three points to distribute weight across the forehead, nose, and strap. Thus, even when using for long periods, fatigue is minimized.

* Two-tone coloring Frame, White-Pink, White-Green, Black-Silver, Silver-Blue

Torsion Test



In tensile strength tests, Neo Frames do not break! Even at 50 N (products from other companies break at 15 N). NEITZ Neo Frames do not break even in 180-degree reverse/twist open-strength tests.



β-titanium frame

The frames are made in Sabae, Japan – the Birthplace of Titanium Frame manufacturing.



Black



Red



Blue



Black

* With expertise in the difficult art of titanium manufacturing, we have selected beta-titanium, which offers lightweight and the strongest titanium alloy for toughness that endures rigorous use.

* The frames offer support at three points—forehead, nose, and over the ears. This offers an exceptional fit that eliminates blurring views even when LED illumination or a high-magnification loupe is attached. The Beta Frame can be used without a strap, even when subjected to vigorous movement.

* Frame Color: Black, Red, Blue

Common Features of Neitz Loupes

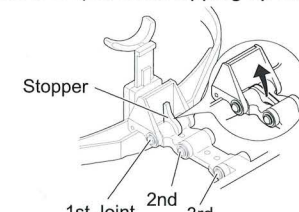
Spring Nose Support

Nose pad working with the spring cushions the frame on the nose and holds the loupe frame firmly in place.



Hinge and Stopper

Hinge stopper assists to recover the original position of loupe, when flipping up and down.



Step 3 When required, select the LED Illuminator

Spot Illuminator NSI-X

Achieves Extended Illumination Time while Providing Outstanding Brightness and Illumination Range

* To maximize brightness, a single-focus system is used. In addition to being able to select from two types of illumination-field diameters (80 mm and 100 mm), the loupe also achieves the highest level of brightness in its class with a maximum luminance of 100,000 Lux at 25 mm (80 mm type).

* With a rechargeable battery pack and DC plug, illumination can be achieved for extended periods of time. When using the battery pack, high-speed charging capabilities achieve a full charge in 2.5 h and allow up to 3.5 h of continuous lighting at maximum intensity.



Stand and AC Adaptor for NSI-X

Spot Illuminator NSI-III

* In addition to the attached rechargeable Ni-MH batteries, alkaline batteries can be used. This allows for use in an emergency during power outages.



SPECIFICATION SHEET

Loupe	Loupe type	Galilean				Prismatic	
	Loupe	BLS-1	BLS-2	BLS-3	BLD-3	BLP-4	BLP-6
	Magnification, x times	1.5 - 2.0	2.0 - 2.5	2.5 - 3.0	2.5 - 3.0	4.0 - 4.5	5.5 - 6.0
	Field of view, mm, (inches)	145 - 120 (5.70 - 4.72)	113 - 58 (4.45 - 2.28)	78 - 38 (3.07 - 1.50)	80 - 50 (3.15 - 1.97)	80 - 50 (3.15 - 1.97)	40 - 25 (1.57 - 0.98)
	Working distance, mm, (inches)	550 - 350 (21.65-13.78)	550 - 350 (21.65-13.78)	550 - 350 (21.65-13.78)	350 - 250 (13.78-9.84)	550 - 350 (21.65-13.78)	550 - 350 (21.65-13.78)
	PD, mm, (inches)	74 - 47 (2.91-1.85)					
	Weight, gram, (oz) w/o frame	39.3 (1.39)	47.0 (1.66)	38.2 (1.35)	37.3 (1.32)	59.1 (2.08)	61.9 (2.18)

Illuminator	Illuminator		NSI-X		NSI-III	
	Light Source		3W White LED (Color Tone: Cool White)			
	Illumination Field Diameter, mm, (inches)		80 (3.15) type	100 (3.94) type	48-100 (1.89-3.94)	
	Dimensions, mm, (inches)		23.0 x 34.6 (0.91-1.36)		21.4 x 36.2 (0.84-1.42)	
	Weight, gram, (oz.)		35.9 (1.27)	35.9 (1.27)	35.5 (1.25)	
	Light Intensity (at 40cm distance)	Low Mode	14,000 lux	12,000 lux	5,000 lux	
		Middle Mode	22,000 lux	19,000 lux	9,500 lux	
		High Mode	38,000 lux	32,000 lux	14,000 lux	
	Light Intensity (at 25 cm distance)	Low Mode	41,000 lux	33,000 lux	13,000 lux	
		Middle Mode	59,000 lux	49,000 lux	25,000 lux	
High Mode		100,000 lux	84,000 lux	40,000 lux		
Cord Length, m, (inches)		1.7 (66.93)		1.5 (59.06)		
Battery Pack		NSI-X		NSI-III		
Dimensions(excluding protrusions), mm, (inches)		H 88.5 × W 68 × D 22 (3.48 × 2.68 × 0.87)		H 72.5 × W 65 × D 20 (2.85 × 2.56 × 0.79)		
Weight (including batteries), gram, (oz.)		170 (6.0)		173 (6.1)		
Operation Time	Low Mode	13 hours		17 hours		
	Middle Mode	7.5 hours		7 hours		
	High Mode	3.5 hours		4 hours		
Rechargeable Battery		Built-in Ni-MH battery		Ni-MH battery(AA size, "Eneloop", 4pcs)*		
Output Voltage		DC 3V, 2VA		DC 3.5V, 2.5VA		
Full Charging Time		Approx. 2.5 hours		Approx. 4 hours		
AC Adapter		NSI-X		NSI-III		
Input Voltage		AC100-240 V, 50/60 Hz, 0.5-0.25A		-		
Output Voltage		DC 9 V, 2.3A		-		
Battery Charger*		NSI-X		NSI-III		
Input Voltage		-		AC100-240 V, 50/60 Hz		
Electricity Consumption		-		20VA		

* "Eneloop" Rechargeable Battery and Battery Charger by Panasonic

Neitz Instruments Co., Ltd.

4F Ichibancho Court, 15-21, Ichibancho,
Chiyoda-ku, Tokyo 102-0082, JAPAN
Tel: (+81) 3-3237-0552
Fax: (+81) 3-3237-0554
URL: <https://www.neitz.co.jp/en/>



Distributor: